

DECKING SUPPORTS

TECHNICAL INFO

SPECIFIC SUPPORTS FOR JOISTS AND WPC BAMBOO DECKING INSTALLATION

What spacing must I use with the supports?

With the laying of the decking, the spacing between a joist and the next and between a support and the next is not determined by the capacity of the supports but by the finished decking that will be installed.

The final decision is influenced by the type of essence used, the spacers of the joist and the final strips.

For further clarifications consult the WPC Bamboo decking manufacturer.

ADVANTAGES

- Perfect flatness of the final decking
- Passing of systems under decking
- Recovery of decking with various heights
- Easy inspection and maintenance of waterproofing without demolition

CAPACITY Martinetti	
Surface of support-base	314 cm ²
Capacity	400 kg
Lay on compact surface	400 kg
Support is adjustable in height	35 > 380 mm
Top diameter	120 mm
Base diameter	200 mm

CAPACITY MiniMart	
Surface of support-base	177 cm ²
Capacity	400 kg
Lay on compact surface	400 kg
Support is adjustable in height	22 > 37 mm
Top diameter	150 mm
Base diameter	150 mm

CONSUMPTION PER M² WITH ADJUSTABLE SUPPORTS

SPACING	30x30	30x35	30x40	35x40	40x40	50x50	60x60
Support pcs./m ²	11.2-12.2	9.5-10.5	8.3-9.3	7.2-8.2	6.3-7.3	4-5	2.8-3.8





CODE LIST

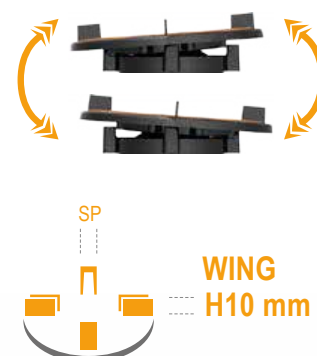
ADJUSTABLE SUPPORTS		SELF-LEVELLING ADJUSTABLE SUPPORTS	
Characteristics and sizes (mm)	Code list	Characteristics and sizes (mm)	Code list
Prime up h 10-15	AF1500	Minibalance h 25-40	AF1522
Prime up h 10-20	AF1501	Minibalance h 25-45	AF1523
Prime up h 10-25	AF1502	Minibalance h 25-50	AF1524
Fixed height support h 25	AF1503	Balance h 47 - 62	AF1525
Fixed height support h 35	AF1504	Balance h 62 - 82	AF1526
MiniMart h 22-30	AF1505	Balance h 77 - 112	AF1527
MiniMart h 28-37	AF1506	Balance h 107 - 142	AF1528
Martinetto h 35 - 50	AF1507	Balance h 137 - 172	AF1529
Martinetto h 50 - 70	AF1508	Balance h 167 - 202	AF1530
Martinetto h 65 - 100	AF1509	Balance h 197 - 232	AF1531
Martinetto h 95 - 130	AF1510	Balance h 222 - 257	AF1532
Martinetto h 125 - 160	AF1511	Balance h 252 - 287	AF1533
Martinetto h 155 - 190	AF1512	Balance h 282 - 317	AF1534
Martinetto h 185 - 220	AF1513	Balance h 312 - 347	AF1535
Martinetto h 210 - 245	AF1514	Balance h 342 - 377	AF1536
Martinetto h 240 - 275	AF1515	Balance full thread h 97 - 147	AF1537
Martinetto h 270 - 305	AF1516	Balance full thread h 137 - 227	AF1538
Martinetto h 300 - 335	AF1517	Balance full thread h 222 - 392	AF1539
Martinetto h 330 - 365	AF1518		
Martinetto XL h 85 - 135	AF1519		
Martinetto XL h 125 - 215	AF1520		
Martinetto XL h 210 - 380	AF1521		

Specific supports for joists and WPC Bamboo decking lay

The material with which the supports are made makes them resistant to acid and basic solutions and to atmospheric agents. The excellent resistance to temperature changes makes it possible to lay them with temperatures from 0° to 40°.

SELF-LEVELLING version

- With automatic tilt correction to 5%
- 400 Kg capacity



Full thread balance version for greater heights

